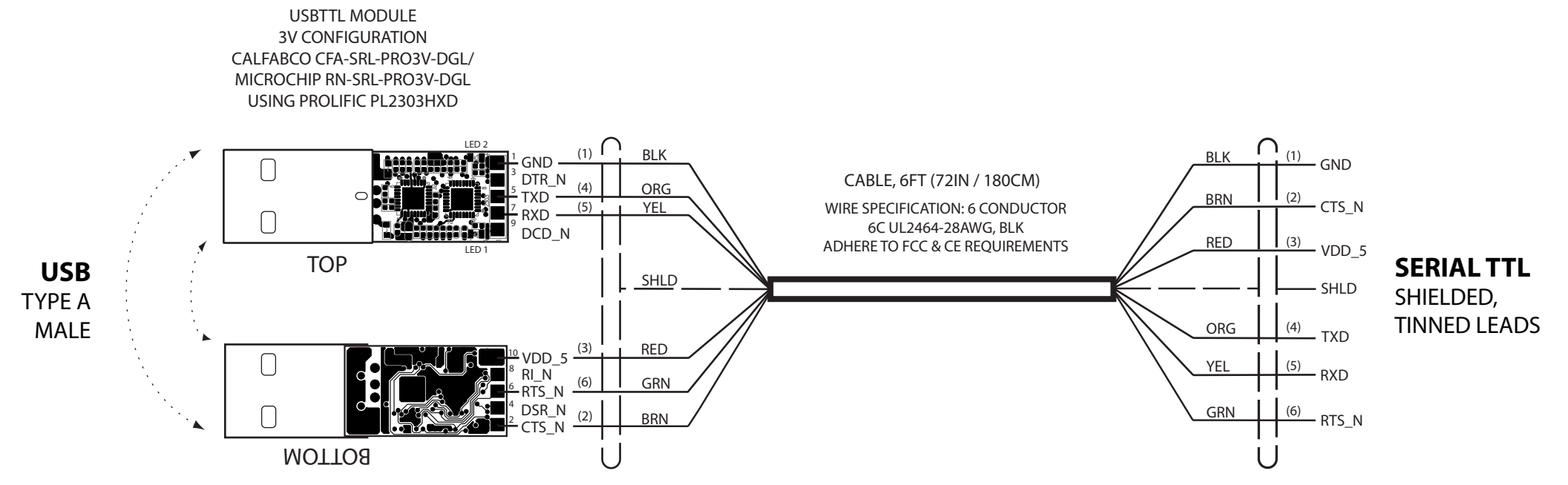


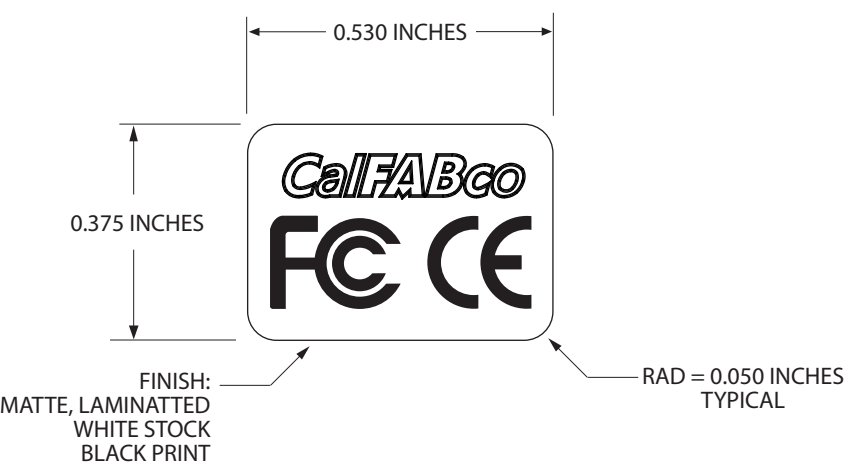
REVISIONS				
ZONE	REV	DESCRIPTION	DATE	APPROVED
	A	DRAWING REFRESH • CORRECTED PIN OUT REFERENCES • AMENDED LABEL DETAIL • ADDED NOTE RE LED 1 & 2 • ADDED GLOBAL DISTRIBUTOR LIST • ADDED PCB T & B DETAIL	10/25/2022	CALFABCO RA



WIRING DIAGRAM

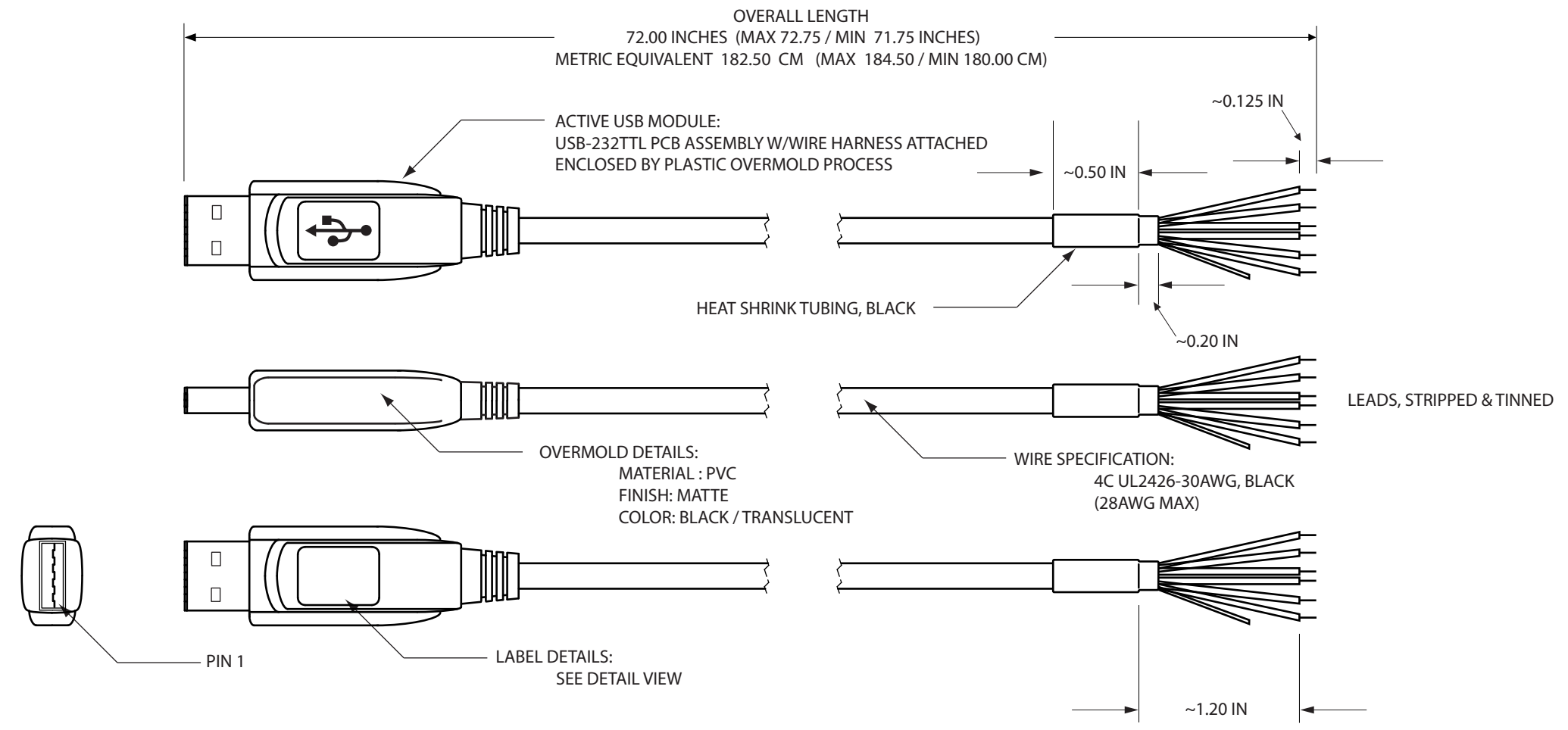
OVERMOLD USB MODULE (USBTTTL MODULE) TO TINNED LEADS, 6 FT
NOT TO SCALE

NOTE: LED 1 & LED 2 ON (DIM) WHEN CONNECTED & BRIGHT WHEN DRIVEN
GPIO1 (GP1) DRIVES LED 1 (RED) & GPIO0 (GP0) DRIVES LED 2 (GREEN)
REFERENCE PROLIFIC APP NOTES RE GPIO TEST & SDK
CFA-SRL-PRO3V-DGL HAS BEEN DESIGNED & TESTED FOR
COMPLIANCE WITH PROLIFIC GPIO PROGRAMMING



CABLE AND MODULE GLOBAL DISTRIBUTOR LISTING

VENDOR	CABLE PART NUMBER	MODULE PART NUMBER
MICROCHIP	RN-SRL-PRO3V-CLR	RN-SRL-PRO3V-DGL
ARROW	RN-SRL-PRO3V-CLR	RN-SRL-PRO3V-DGL
MOUSER	765-RN-SRL-PROV3-CLR	765-RN-SRL-PROV3-DGL
DIGIKEY	740-1050-ND	740-1046-ND
NEWARK	06W3263	06W3264



FINISHED CABLE ASSEMBLY DIAGRAM

OVERMOLD USB MODULE (USBTTTL MODULE) TO TINNED LEADS, 6 FT
NOT TO SCALE

UNLESS OTHERWISE SPECIFIED DIMENSIONS ARE IN INCHES TOLERANCES FRACTIONAL ANGULAR MATCH 1 BEND .003 TWO PLACE DECIMAL .010 THREE PLACE DECIMAL .005	PROPRIETARY AND CONFIDENTIAL THE INFORMATION CONTAINED IN THIS DRAWING IS THE SOLE PROPERTY OF ELECTRONIC LINKS INTERNATIONAL (CANADA). ANY REPRODUCTION IN PART OR AS A WHOLE WITHOUT THE WRITTEN PERMISSION OF ELECTRONIC LINKS INTERNATIONAL (CANADA) IS PROHIBITED.	DRAWN: CALFABCO RA	NAME: DATE: NOV. 8, 2010
INTERPRET GEOMETRIC TOLERANCING PER: ASME Y-14.5	MATERIAL: SEE NOTES	CHECKED: CALFABCO JS	APPROVED: CALFABCO RA
PROJECTION: THIRD ANGLE	FINISH: SEE NOTES	COMMENTS:	
PRODUCT CODE: CFA-SRL-PRO3V-CLR			
DO NOT SCALE DRAWING			

CalFABCO CALFABCO IS THE EXCLUSIVE WORLDWIDE LICENSEE FOR MANUFACTURING, SALES AND SUPPORT OF THE PRODUCT

CABLE ASSEMBLY, USB2SER (TTL), CLEAR, TINNED LEADS

SIZE C	ELIC NO. CFA-DL109-36	DWG NO. CFA-D108173-PRO1	REV A
SCALE NTS	WEIGHT	SHEET 1 OF 1	